

### Inspection

Inspect facepiece, filters and/or cartridges prior to use. Any damaged or defective parts must be replaced prior to use. In addition:

- Ensure faceseal and cartridge/filter connection seal area are not distorted
- Make sure straps are intact and have good elasticity
- Ensure inhalation/exhalation valves lay flat against valve seat
- Ensure speaking diaphragm (SD) seal is in place, the SD film is intact, and the SD is securely inserted in the facepiece
- Ensure filters/cartridges are securely attached to facepiece prior to use and the cartridge/filter release button is in the latched position



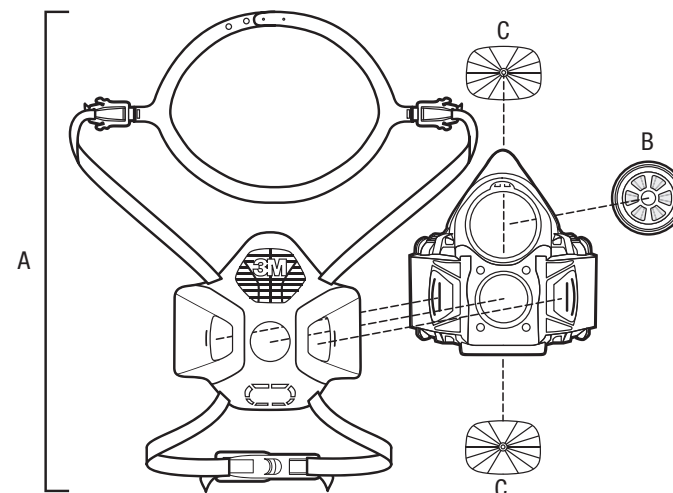
### Cleaning

Cleaning is recommended after each use.

- Remove filters and/or cartridges
- Remove additional facepiece components for cleaning, as needed
- Clean facepiece with a 3M™ Respirator Cleaning Wipe, 504 (as an interim cleaning method) or by immersing in warm cleaning solution, up to 49°C (120°F), and scrub with soft brush or cloth until clean– add neutral detergent if necessary
- Ensure the cartridge/filter connection area is free of debris. Use a cloth or soft brush to reach this area and/or move facepiece back and forth quickly while it is immersed in cleaning solution
- Rinse in fresh, warm water
- Air dry in a non-contaminated atmosphere

You can also use a respirator washer to clean the facepiece.

- Water temperature should not exceed 49°C (120°F)
- Air dry in a non-contaminated atmosphere



Number	Letter	Description
HF-800-04	A	Head Harness Assembly, SD Version, 5/cs
HF-800-05	B	Speaking Diaphragm, 5/cs
HF-800-02	C	Inhale/Exhale Valve, 10/cs

### ⚠️ WARNING

This respirator helps protect against certain airborne contaminants. **Misuse may result in sickness or death.** For correct use, consult supervisor and User Instructions, or call 3M in Canada call 1-800-267-4414. In USA, call 1-800-243-4630.